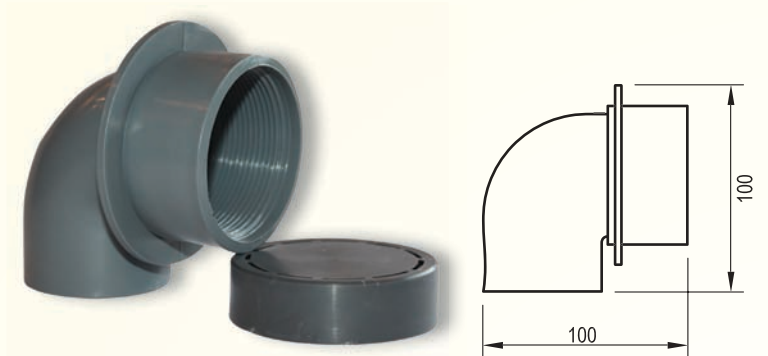


## Eyeball / Vacuum Connector

This connector is specially designed to be installed in the pool wall to connect the eyeball or vacuum point. The design ensures that a separate water stop (puddle flange) is not required.

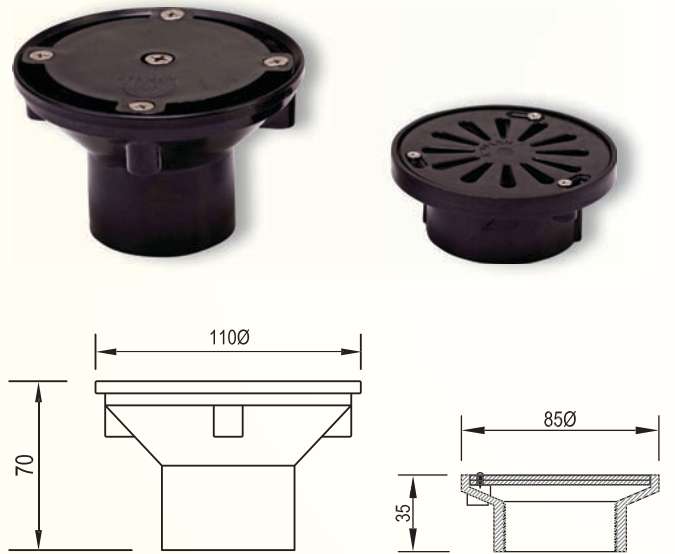
- MOC - uPVC
- Color - Black / Off White



## Floor Inlet

The floor inlet nozzle is used as a return to pool fitting and comes in two designs both with built in flow control.

- MOC - ABS
- Color - Black / Off White



## Deck Box

The Deck Box is designed to allow electrical connections for the pool lights in a convenient location.

- MOC - ABS
- Color - Black / Off White

