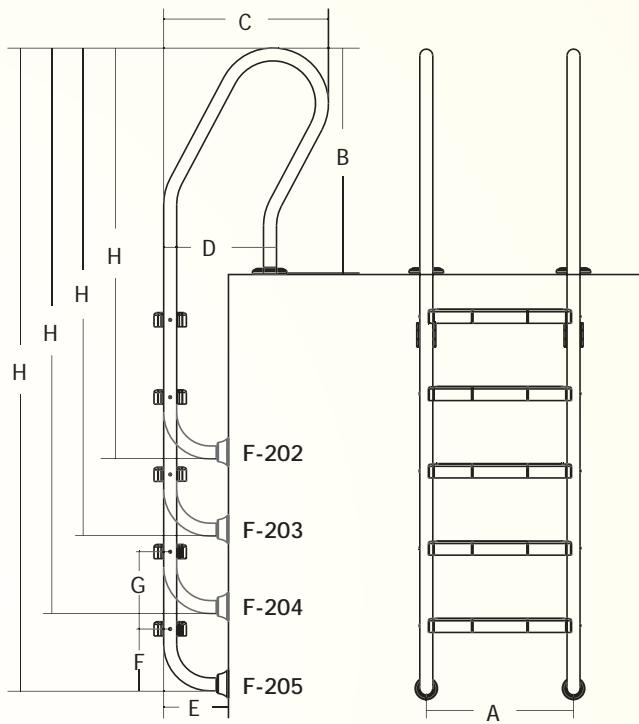


Pool Ladders

Pool Ladders are made of high quality Stainless Steel Pipes and anti skid steps.



Anchor



Standard Steps



Foot Pad

Specifications

Model	Steps	A		B		C		D		E		F		G		H	
		mm	inch	mm	inch	mm	inch	mm	inch	mm	inch	mm	inch	mm	inch		
F-202(A/B)	2	500	19.7	640	25	491	19	323	12.7	167	6.6	179	7	250	9.8	1309	51.5
F-203(A/B)	3	500	19.7	640	25	491	19	323	12.7	167	6.6	179	7	250	9.8	1559	61
F-204(A/B)	4	500	19.7	640	25	491	19	323	12.7	167	6.6	179	7	250	9.8	1809	71
F-205(A/B)	5	500	19.7	640	25	491	19	323	12.7	167	6.6	179	7	250	9.8	2059	81