

Revolving Jet

Description - The Revolving Jet is divided into two parts the lower revolving mechanism with 4 arms which uses water pressure to revolve the nozzle and the upper part which consists of the nozzle and can be either a single Crown nozzle / Vertical jet AF or a finger jet or 4 spiral arms, each type creating a different visual effect while revolving.

Sizes - Available with a 25mm or 50mm inlet and crown, finger or 4 spiral arms mounted on the revolving mechanism.

MOC - Cast Bronze & Machined Brass.

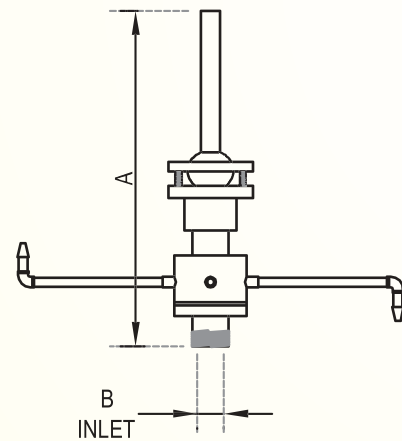
Custom - Custom bore sizes for the nozzle are possible.

Type - Water level independent (no change in water effect with varying water level)



Dimensions

| SAP Code | MODEL | A | Inlet (B) |
|----------|----------------------|-------|-----------|
| NOZ24.01 | Revolving Crown Jet | 250mm | 25mm |
| NOZ24.02 | Revolving Finger Jet | 250mm | 25mm |
| NOZ37.01 | Revolving Spiral Jet | 250mm | 50mm |



Flow Rate for Revolving Jet

| MODEL | Revolving Crown Jet | Revolving Finger Jet | Revolving Spiral Jet |
|-----------------|---------------------|----------------------|----------------------|
| Spray Ht.(in m) | LPM | LPM | LPM |
| 1.00 | | 80 | |
| 1.50 | | 87 | |
| 2.00 | | 93 | 148 |
| 3.00 | 87 | | 172 |
| 4.00 | 96 | | 196 |
| 6.00 | 111 | | 232 |